

# INSTRUCTION MANUAL

---

bertini®

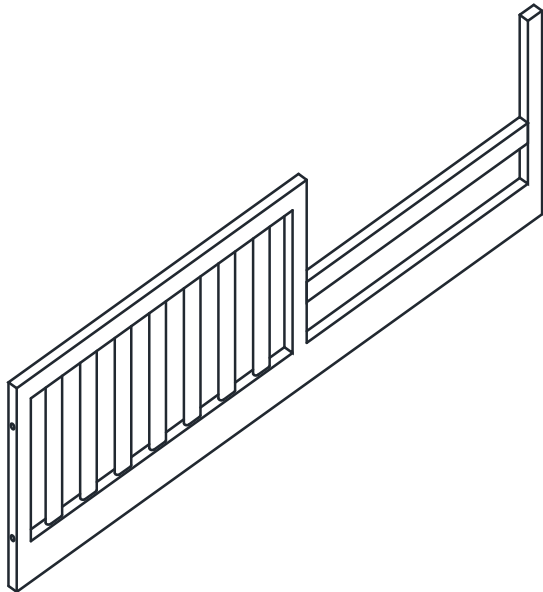
Model No:

BR1407-5

## TIMBER LAKE TODDLER BED CONVERSION RAIL

UPC CODE:

0-65857-17090-0



### NOTE:

THIS INSTRUCTION BOOKLET  
CONTAINS **IMPORTANT** SAFETY  
INFORMATION. PLEASE READ AND  
KEEP FOR FUTURE REFERENCE.

Lot number:

(TAKEN FROM CARTON)

---

Date of purchase:

\_\_\_\_ / \_\_\_\_ / \_\_\_\_

### DO NOT RETURN PRODUCT TO THE STORE.

If a part is missing or damaged, contact our customer service department. We will replace the part **FREE** of charge.

[www.bertinibaby.com](http://www.bertinibaby.com)



Tel #: 1-800-295-1980  
E-Mail: [das@dorel.com](mailto:das@dorel.com)  
Fax #: 514-353-7819

## CUSTOMER SERVICE

If you are missing parts or have any questions about this product, contact our customer service representative first!

 **CALL 1-800-295-1980**

You can also order parts by writing to the address listed below. Please include the product model number, color and a detailed description of the part.

Customer Service Department No. 413  
12345 Albert-Hudon Boulevard, Suite 100  
Montreal, Quebec  
Canada, H1G 3L1  
**E-MAIL: [das@dorel.com](mailto:das@dorel.com)**

## **WARNING**

- \* Failure to follow these warnings and assembly instructions could result in serious injury or death.
- \* Read all instructions before assembling crib. **KEEP INSTRUCTIONS FOR FUTURE USE.**
- \* Check this product for damaged hardware, loose joints, loose bolts or other fasteners, missing parts or sharp edges before assembly and frequently during use. Securely tighten loose bolts and other fasteners. **DO NOT** use crib if any parts are missing, damaged or broken. Contact a customer service representative at 1-800-295-1980 for replacement parts and instructional literature if needed. **DO NOT** substitute parts.
- \* Infants can suffocate on soft bedding. Never add a pillow or comforter. Never place additional padding under an infant.
- \* Stop using the crib when child begins to climb out or reaches the height of 35 inches (89 cm).
- \* To reduce the risk of SIDS, pediatricians recommend healthy infants be placed on their backs to sleep, unless otherwise advised by your physician.
- \* **DO NOT** place crib near window where cords from blinds or drapes may strangle a child.
- \* Strings can cause strangulation! **DO NOT** place items with a string around a child's neck, such as hood strings or pacifier cords. **DO NOT** suspend strings over a crib or attach strings to toys.
- \* To help prevent strangulation tighten all fasteners. A child can trap parts of the body or clothing on loose fasteners.
- \* If refinishing, use a non-toxic finish specified for children's products.
- \* When child is able to pull to standing position, set mattress to lowest position and remove bumper pads, large toys and other objects that could serve as steps for climbing out.
- \* Never use plastic shipping bags or other plastic film as mattress covers because they can cause suffocation.
- \* Replace teething rail if damaged or loose (if teething rail is provided for this model).
- \* **CAUTION: ANY MATTRESS USED IN THIS CRIB MUST BE AT LEAST 27-1/4 INCHES BY 51-5/8 INCHES (69CM BY 131CM) WITH A THICKNESS NOT EXCEEDING 6 INCHES (15CM).**
- \* Infants can suffocate in gaps between crib sides and a mattress that is too small.
- \* Follow warnings on all products in a crib.
- \* **INFANTS HAVE DIED IN TODDLER BEDS FROM ENTRAPMENT.** Openings in and between bed parts can entrap head and neck of a small child.
- \* NEVER use bed with children under 15 months or over 50 lbs.
- \* ALWAYS follow assembly instructions.
- \* **STRANGULATION HAZARD.** NEVER place bed near windows where cords from blinds or drapes may strangle a child.
- \* NEVER suspend strings over a bed.
- \* NEVER place items with a string, cord, or ribbon around a child's neck, such as hood strings or pacifier cords. These items can catch on bed parts.

\* **CAUTION**

**ENTRAPMENT HAZARD.** To avoid dangerous gaps, any mattress used on this bed shall be a full-size crib mattress at least 51-5/8 inches (1310 mm) in length, 27-1/4 inches (690 mm) in width, and a max thickness of 6 inches (150 mm).

## NOTES

- \* Ensure all parts and components are present before beginning assembly.
- \* Assemble on a soft, smooth surface to prevent damage to product finish.
- \* **DO NOT** use power tools.
- \* **CAUTIONS:** Adult assembly required.
- \* Assembly will require two people.
- \* Estimated assembly time: 30 minutes.

### CARE AND CLEANING

Dust regularly with a soft, lint-free cloth to prevent soil build-up. A damp cloth may be used occasionally to clean surface. Dry immediately. Do not use any abrasives that may damage finish. Excessive exposure to sunlight and extreme changes in temperature and moisture can damage wood furniture.

### MAINTENANCE

Check bolts/screws periodically and tighten them if necessary.

### LIMITED WARRANTY


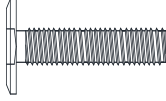
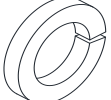
Dorel warrants its product to be free from defects in material and workmanship and agrees to remedy any such defect. This warranty covers 1 year from the date of original purchase. This warranty is valid only upon presentation of proof of purchase. This is solely limited to the repair or replacement of defective furniture components and no assembly labor is included. This warranty does not apply to any product which has been improperly assembled, subjected to misuse or abuse or which has been altered or repaired in any way. This warranty gives you specific legal rights and you may also have other rights which vary from State to State.

 **WARNING: Should this product become damaged, and/or components are broken or missing, DO NOT USE.**

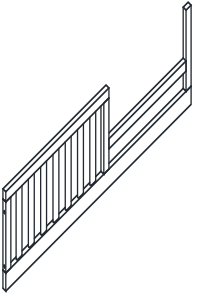
# TIMBER LAKE TODDLER BED CONVERSION RAIL

## BR1407-5

### HARDWARE LIST

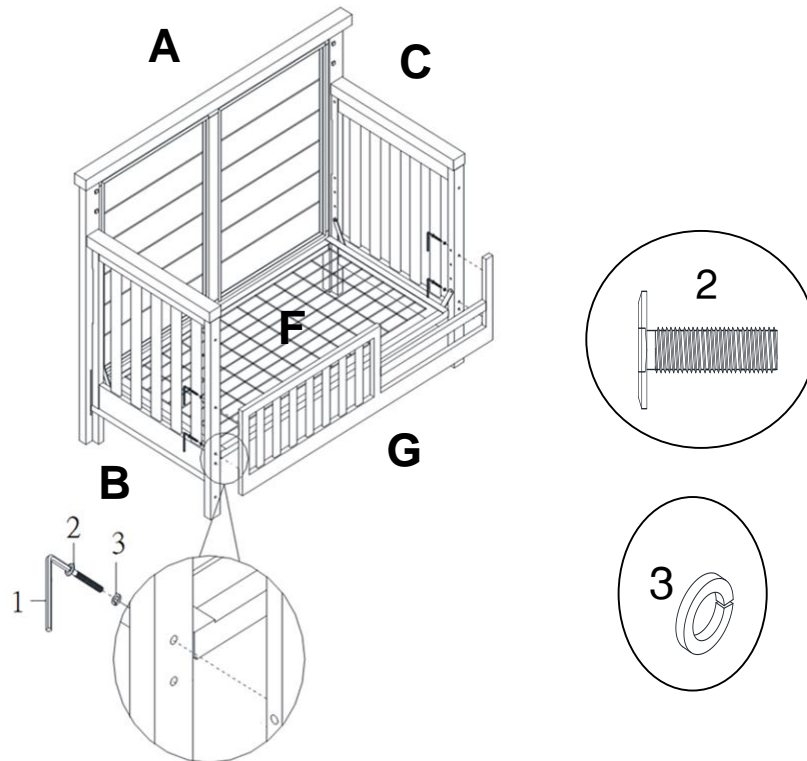
<p>1</p> 	<p>2</p>  <p>Ø1/4" X 15mm X 45mm</p>
<p>ALLEN KEY 1 PC</p>	<p>BOLT 4 PCS</p>
<p>3</p>  <p>Ø5/16" X 13 X 2mmT</p>	
<p>SPRING WASHER 4 PCS</p>	

### PARTS LIST

<p>G</p> 
<p>GUARDRAIL 1 PC</p>

# TIMBER LAKE TODDLER BED CONVERSION RAIL BR1407-5

**NOTE:** THE TIMBER LAKE 4-IN-1 CRIB (MODEL# BR1407B4 / ITEM# 268417) IS **NOT INCLUDED** AND MUST BE PURCHASED SEPARATELY. THE FOLLOWING ILLUSTRATIONS ARE FOR REFERENCE ONLY.



## TODDLER BED ASSEMBLY: STARTING FROM CRIB

**STEP 1:** Detach front panel (D) with Allen key (1).

**STEP 2:** If the mattress support (F) is not in the lowest position, unscrew the mattress support bolts from the side panels (B & C) and move mattress support (F) to the lowest position.

**STEP 3:** Secure guardrail (G) to side panels (B & C) with bolts (2), spring washers (3) and Allen key (1).

**STEP 4:** Ensure all bolts are tightly secured.

## TODDLER BED ASSEMBLY: STARTING FROM SCRATCH

**STEP 1:** Follow steps 2 and 3 of the crib assembly instructions. (Omitting the front panel (D))

**STEP 2:** Follow steps 2 to 4 for the toddler bed assembly instruction located above (starting from crib).

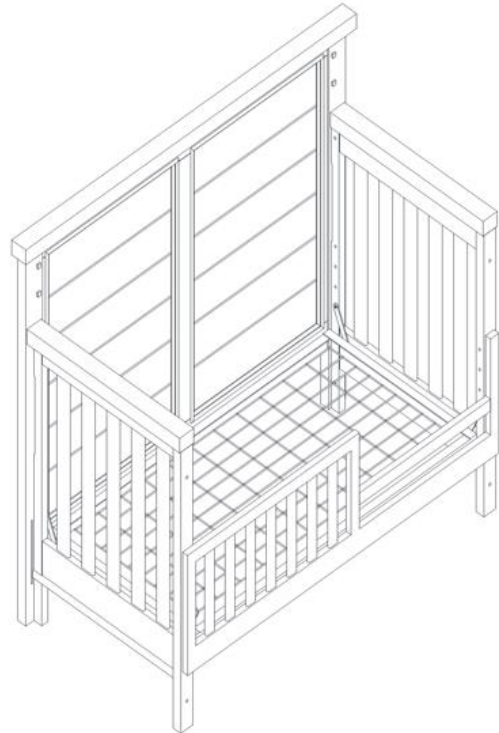
# TIMBER LAKE TODDLER BED CONVERSION RAIL BR1407-5



**CAUTION:** This unit is intended for use only with the products and/or maximum weights indicated. Use with other products and/or products heavier than the maximum weights indicated may result in instability or cause possible injury.

ANY MATTRESS USED IN THIS TODDLER BED MUST BE AT LEAST 27-1/4 INCHES BY 51-5/8 INCHES (69CM BY 131CM) WITH A THICKNESS NOT EXCEEDING 6 INCHES (15CM).

The TODDLER BED or DAY BED is not intended for children under 15 months of age or over 50 pounds (22.7 kgs).



That's it ! You've finished assembling your toddler bed!

**DO NOT RETURN PRODUCT TO THE STORE.**

If a part is missing or damaged, contact our customer service department. We will replace the part **FREE** of charge.



Tel #: 1-800-295-1980  
E-Mail: [das@dorel.com](mailto:das@dorel.com)  
Fax #: 514-353-7819

# Customer Service

**PLEASE DO NOT RETURN THIS PRODUCT TO THE STORE**

**PLEASE CONTACT CUSTOMER SERVICE REPRESENTATIVES AT THE FOLLOWING NUMBERS SHOULD THERE BE ANY MISSING OR DEFECTIVE PART(S).**

Customer Service Phone Number 1-800-295-1980

Email: [das@dorel.com](mailto:das@dorel.com)

Customer Service Fax Number 514-353-7819

Request Date:

Name:

Shipping Address:

Street & Number:

City & State:

Zip Code:

Day Time Phone Number:

(including area code)

Date & Place of Purchase:

Part (s) description and quantity: (Please be sure to list model number or SKN number)

Customer Service Representative Mailing Address:

Customer Service Department No. 413, 12345 Albert-Hudon Boulevard, Suite 100, Montreal, QC, Canada, H1G 3L1