

INSTRUCTION MANUAL

bertini®

Pembroke Glider



Model No:

BR6294R-T-JIU	Toast
BR6294R-GR-JIU	Dove
BR6294R-BL-JIU	Indigo
BR6294R-AGR-JIU	Asphalt
BR6294R-I-JIU	Bone

UPC CODE:

0-65857-17204-1	Toast
0-65857-17208-9	Dove
0-65857-17210-2	Indigo
0-65857-17212-6	Asphalt
0-65857-17214-0	Bone

NOTE:

THIS INSTRUCTION BOOKLET
CONTAINS **IMPORTANT** SAFETY
INFORMATION. PLEASE READ AND
KEEP FOR FUTURE REFERENCE.

Lot number:

(TAKEN FROM CARTON)

Date of purchase:

____ / ____ / ____

DO NOT RETURN PRODUCT TO THE STORE.

If a part is missing or damaged, contact our customer service department. We will replace the part **FREE** of charge.

www.bertinibaby.com



Tel #: 1-800-295-1980
E-Mail: das@dorel.com
Fax #: 514-353-7819

CUSTOMER SERVICE

If you are missing parts or have any questions about this product, contact our customer service representative first!

 **CALL 1-800-295-1980**

You can also order parts by writing to the address listed below. Please include the product model number, color and a detailed description of the part.

**Customer Service Department No. 413
12345 Albert-Hudon Boulevard, Suite 100
Montreal, Quebec
Canada H1G 3L1
E-MAIL: das@dorel.com**

WARNING

- * DO NOT leave children unattended on or beside the chair.
- * DO NOT use your chair as a step stool.
- * DO NOT sit on the edge of the seat, armrests or on the backrest as this could make the chair tip over.

NOTES

- * Ensure all parts and components are present before beginning assembly.
- * Assemble on a clean, smooth surface to prevent damage to product finish.
- * **DO NOT** use power tools.
- * CAUTION: Adult assembly required.
- * Assembly and handling will require two people.

CARE AND CLEANING

Dust regularly with a soft, dry cloth to prevent soil build up. Keep away from heat to avoid glazing, melting or scorching. Use a professional cleaning service to clean the fabric.

MAINTENANCE

Check bolts/screws periodically and tighten them if necessary.

LIMITED WARRANTY

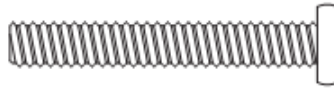






Dorel warrants its product to be free from defects in material and workmanship and agrees to remedy any such defect. This warranty covers 1 year from the date of original purchase. This warranty is valid only upon presentation of proof of purchase. This is solely limited to the repair or replacement of defective furniture components and no assembly labor is included. This warranty does not apply to any product which has been improperly assembled, subjected to misuse or abuse or which has been altered or repaired in any way. Any wearing, tearing or fading of the fabric is not covered under the warranty. This warranty gives you specific legal rights and you may also have other rights which vary from State to State.

 **WARNING: Should this product become damaged, and/or components are broken or missing, DO NOT USE.**









Pembrooke Glider

BR6294R-T-JIU / BR6294R-GR-JIU / BR6294R-BL-JIU / BR6294R-AGR-JIU / BR6294R-I-JIU

HARDWARE LIST

<p>1</p>  <p>Ø1/4" X 1-3/4"</p>	<p>2</p>  <p>Ø1/4" X 1-1/2"</p>	<p>3</p>  <p>Ø1/4"</p>
<p>BOLT 2 PCS</p>	<p>BOLT 6 PCS</p>	<p>SPRING WASHER 8 PCS</p>
<p>4</p> 	<p>5</p> 	<p>6</p>  <p>Ø3/16" x 3/4"</p>
<p>BARREL NUT 2 PCS</p>	<p>ALLEN KEY 1 PC</p>	<p>BOLT 1 PC</p>
<p>7</p>  <p>Ø3/16"</p>		
<p>SPRING WASHER 1 PC</p>		

PARTS LIST

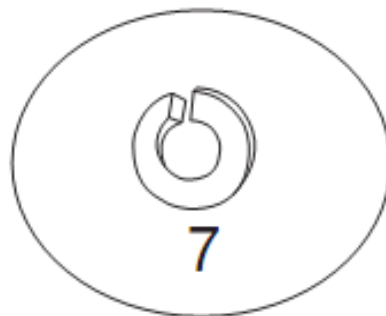
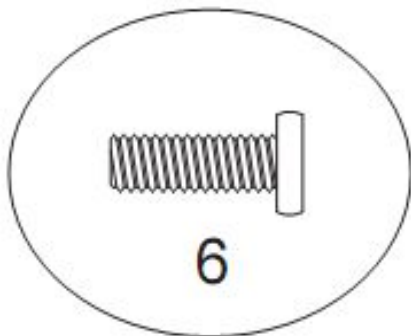
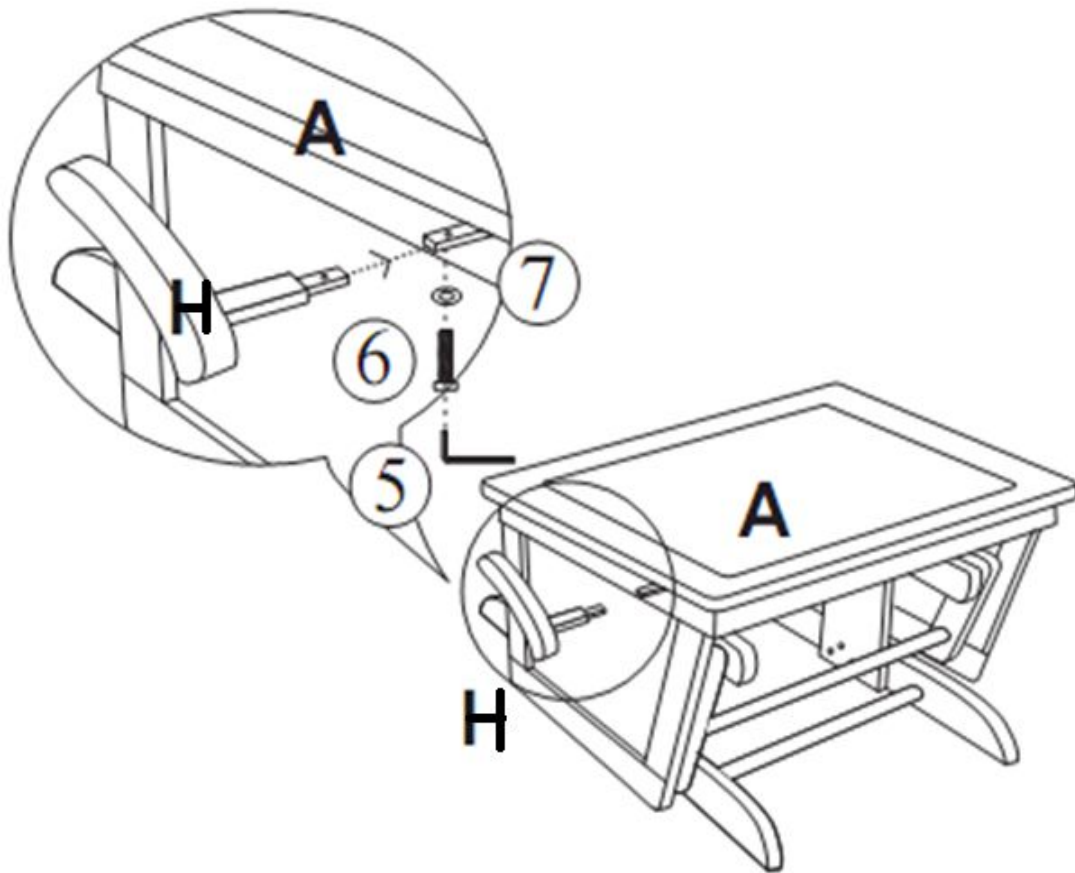
<p>A</p> 	<p>B</p> 	<p>C</p> 	<p>D</p> 
<p>BASE 1 PC</p>	<p>BACK FRAME 1 PC</p>	<p>SEAT CUSHION 1 PC</p>	<p>BACK CUSHION 1 PC</p>
<p>E</p> 	<p>F</p> 	<p>G</p> 	<p>H</p> 
<p>ARM CUSHION 2 PCS</p>	<p>LEFT ARM 1 PC</p>	<p>RIGHT ARM 1 PC</p>	<p>HANDLE 1 PC</p>

Pembrooke Glider

BR6294R-T-JIU / BR6294R-GR-JIU / BR6294R-BL-JIU / BR6294R-AGR-JIU / BR6294R-I-JIU

STEP 1:

Attach handle (H) to the iron tube on the base (A) with bolt (6) and spring washer (7).
Use Alley key (5) to tighten the bolt.



Pembrooke Glider

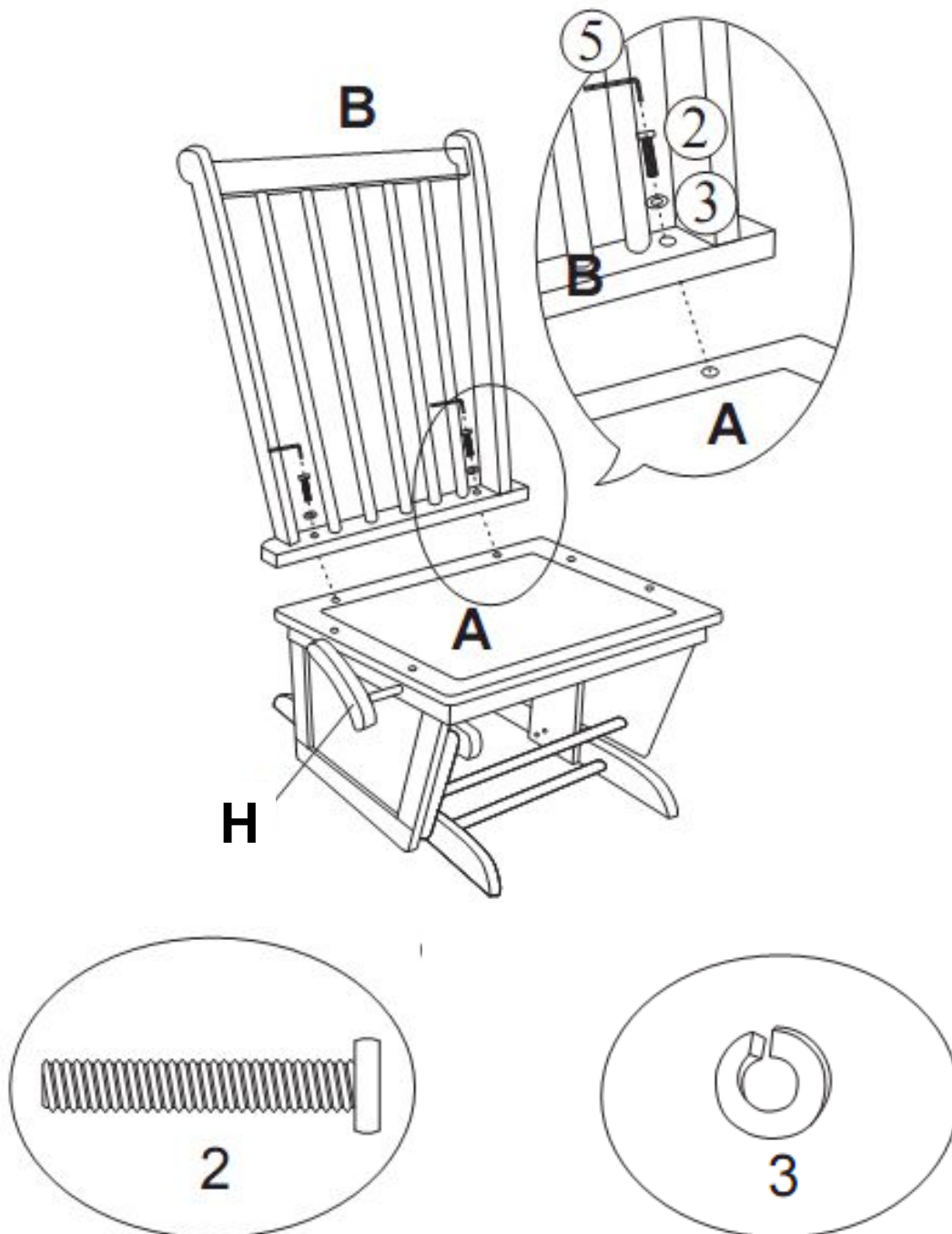
BR6294R-T-JIU / BR6294R-GR-JIU / BR6294R-BL-JIU / BR6294R-AGR-JIU / BR6294R-I-JIU

STEP 2:

Attach back frame (B) to the base (A) with bolts (2) and spring washers (3).

Use Allen key (5) to tighten the bolts.

NOTE: Do not fully tighten the bolts. This will make it easier to attach the arms in the following step.



Pembrooke Glider

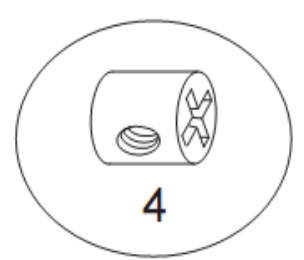
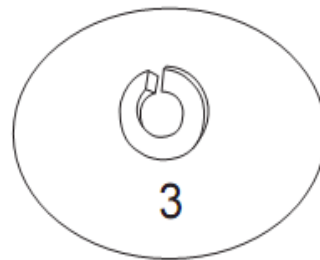
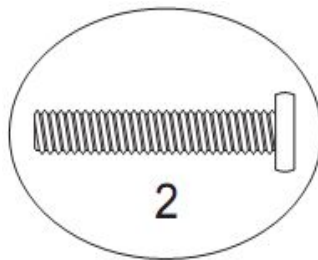
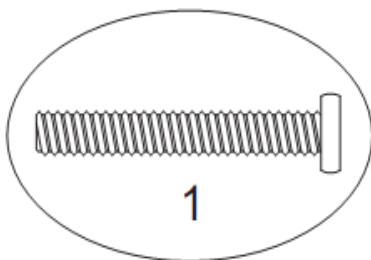
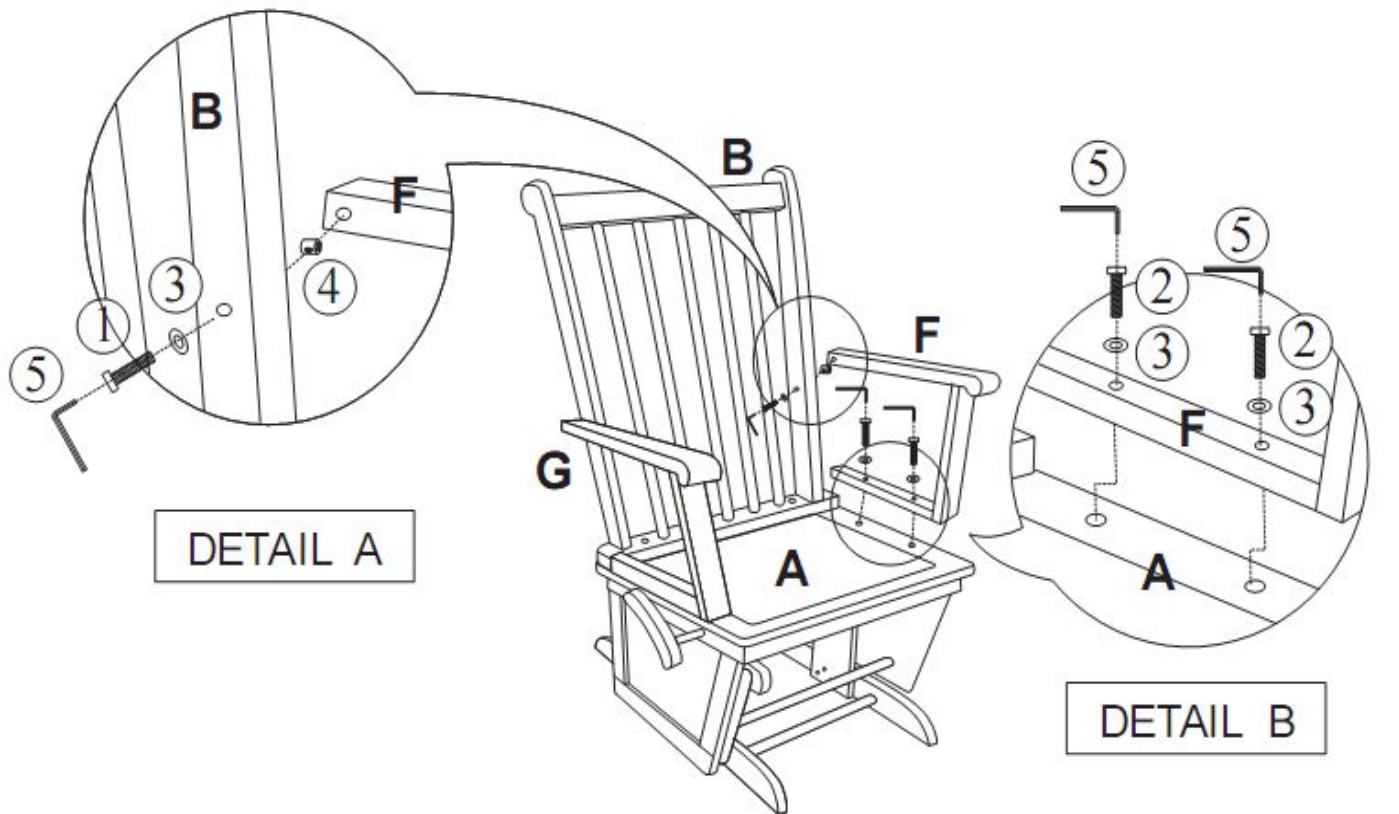
BR6294R-T-JIU / BR6294R-GR-JIU / BR6294R-BL-JIU / BR6294R-AGR-JIU / BR6294R-I-JIU

STEP 3:

Insert barrel nuts (4) into the left arm (F). Attach left arm (F) to the back frame (B) with bolt (1) and spring washer (3) as shown in Detail A. Use Allen key (5) to tighten the bolt.

Attach left arm (F) to the base (A) with bolts (2) and spring washers (3) using Allen key (5) as shown in Detail B.

Repeat this step to attach right arm (G) to the back frame (B) and base (A).



Pembrooke Glider

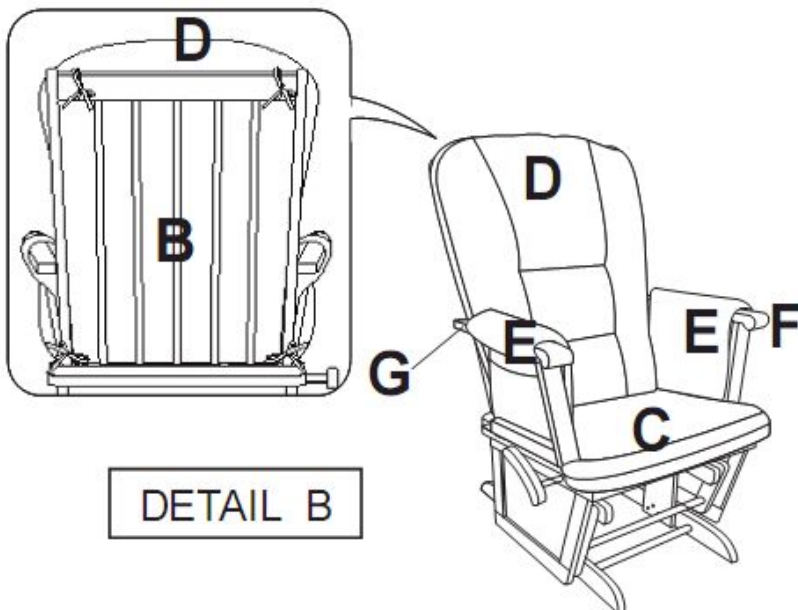
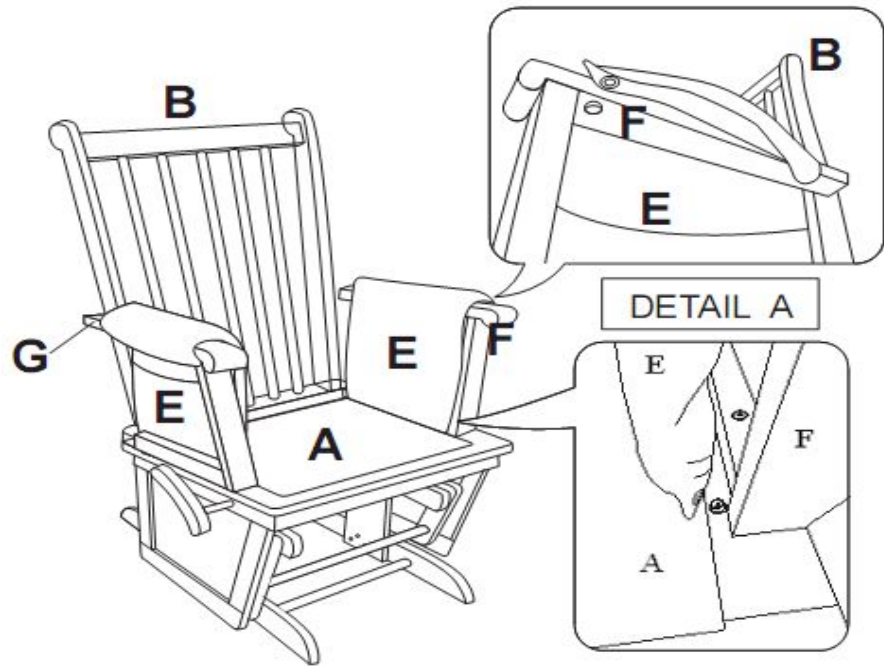
BR6294R-T-JIU / BR6294R-GR-JIU / BR6294R-BL-JIU / BR6294R-AGR-JIU / BR6294R-I-JIU

STEP 4:

Attach arm cushions (E) to the arms (F & G) using the button on arm cushions (E) as shown in Detail A.

Place seat cushion (C) on the base (A).

Use the strings on back cushion (D) to attach it to the back frame (B) as shown in Detail B.



Pembrooke Glider

BR6294R-T-JIU / BR6294R-GR-JIU / BR6294R-BL-JIU / BR6294R-AGR-JIU / BR6294R-I-JIU



CAUTION: This unit is intended for use only with the products and/or maximum weights indicated. Use with other products and/or products heavier than the maximum weights indicated may result in instability or cause possible injury.

DO NOT leave children unattended on or beside the chair.

DO NOT use your chair as a step stool.

DO NOT sit on the edge of the seat, armrests or on the backrest as this could make the chair tip over.



Congratulations! You've finished assembling your Pembrooke Glider.

DO NOT RETURN PRODUCT TO THE STORE.

If a part is missing or damaged, contact our customer service department. We will replace the part **FREE** of charge.

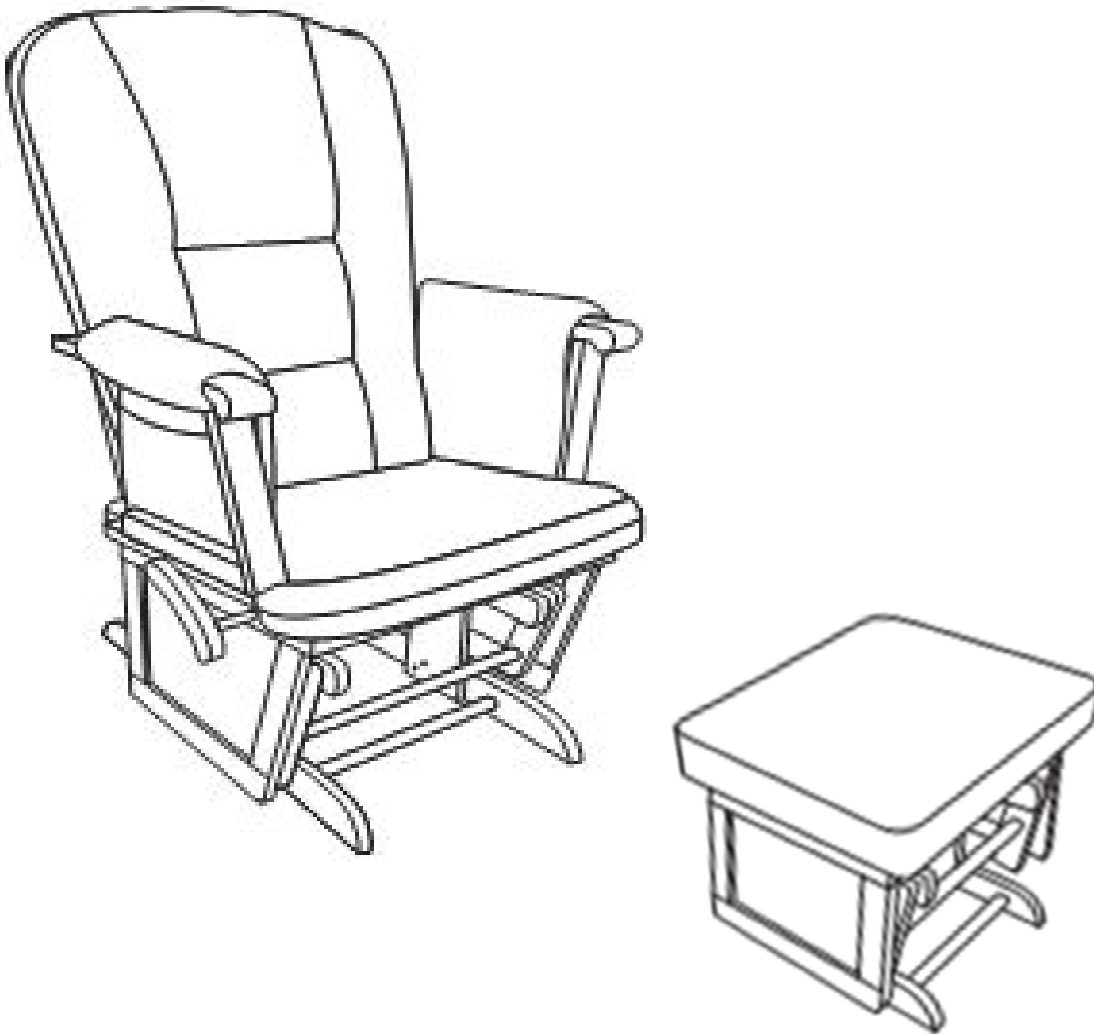


Tel #: 1-800-295-1980
E-Mail: das@dorel.com
Fax #: 514-353-7819

Pembrooke Glider

BR6294R-T-JIU / BR6294R-GR-JIU / BR6294R-BL-JIU / BR6294R-AGR-JIU / BR6294R-I-JIU

The Pembrooke Glider (model number BR6294R) is designed to be used with Pembrooke Ottoman (model number BR6294O) sold separately.



MODEL #: BR6294R-T-JIU / BR6294R-GR-JIU / BR6294R-BL-JIU / BR6294R-AGR-JIU / BR6294R-I-JIU

Customer Service

PLEASE DO NOT RETURN THIS PRODUCT TO THE STORE

PLEASE CONTACT CUSTOMER SERVICE REPRESENTATIVES AT THE FOLLOWING NUMBERS SHOULD THERE BE ANY MISSING OR DEFECTIVE PART(S).

Customer Service Phone Number 1-800-295-1980
Customer Service Fax Number 514-353-7819

Email: das@dorel.com

Request Date:

Name:

Shipping Address:

Street & Number:

City & State:

Zip Code:

Day Time Phone Number:
(including area code)

Date & Place of Purchase:

Part(s) description and quantity (Please be sure to list model number or SKN number):

Customer Service Representative Mailing Address:

Customer Service Department No. 413, 12345 Albert-Hudon Boulevard, Suite 100, Montreal, QC, Canada, H1G 3L1