

INSTRUCTION MANUAL

bertini®

Model No:

BR1407-8

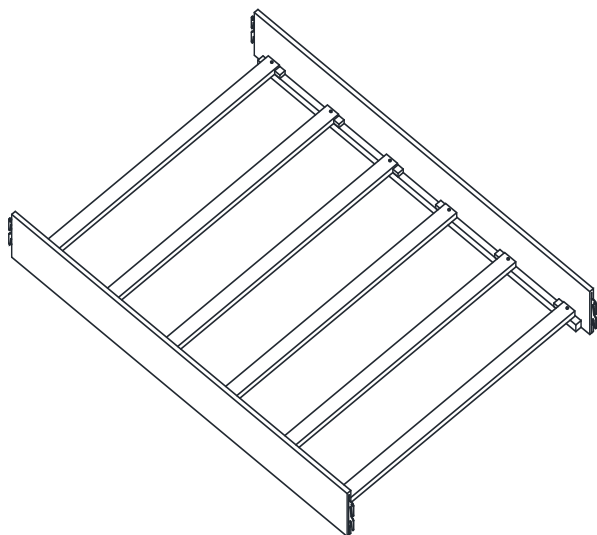
TIMBER LAKE WOODEN BED RAILS

UPC CODE:

0-65857-17091-7

NOTE:

THIS INSTRUCTION BOOKLET
CONTAINS **IMPORTANT** SAFETY
INFORMATION. PLEASE READ AND
KEEP FOR FUTURE REFERENCE.



Lot number:

(TAKEN FROM CARTON)

Date of purchase:

____ / ____ / ____

DO NOT RETURN PRODUCT TO THE STORE.

If a part is missing or damaged, contact our customer service department. We will replace the part **FREE** of charge.

www.bertinibaby.com



Tel #: 1-800-295-1980

E-Mail: das@dorel.com

Fax #: 514-353-7819

CUSTOMER SERVICE

If you are missing parts or have any questions about this product, contact our customer service representative first!

 **CALL 1-800-295-1980**

You can also order parts by writing to the address listed below. Please include the product model number, color and a detailed description of the part.

Customer Service Department No. 413
12345 Albert-Hudon Boulevard, Suite 100
Montreal, Quebec
Canada H1G 3L1
E-MAIL: das@dorel.com

NOTES:

- * Ensure all parts and components are present before beginning assembly.
- * Assemble on a soft, smooth surface to prevent damage to product finish.
- * Assembly and handling may require two people.
- * Estimated assembly time is 20 minutes.
- * **DO NOT** use power tools.
- * CAUTION: Adult assembly required.
- * Phillips head screw driver is not included.

CARE AND CLEANING

Dust regularly with a soft, lint-free cloth to prevent soil build-up. A damp cloth may be used occasionally to clean surface. Dry immediately. Do not use any abrasives that may damage finish. Excessive exposure to sunlight and extreme changes in temperature and moisture can damage wood furniture.

MAINTENANCE

Check bolts/screws periodically and tighten them if necessary.

LIMITED WARRANTY

Dorel warrants its product to be free from defects in material and workmanship and agrees to remedy any such defect. This warranty covers 1 year from the date of original purchase. This warranty is valid only upon presentation of proof of purchase. This is solely limited to the repair or replacement of defective furniture components and no assembly labor is included. This warranty does not apply to any product which has been improperly assembled, subjected to misuse or abuse or which has been altered or repaired in any way. This warranty gives you specific legal rights and you may also have other rights which vary from State to State.

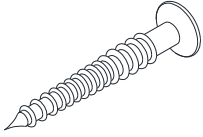


WARNING: Should this product become damaged, and/or components are broken or missing, DO NOT USE.

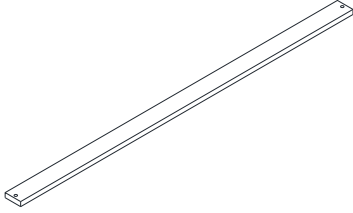
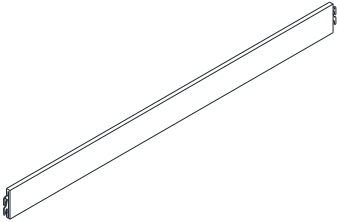
TIMBER LAKE WOODEN BED RAILS

BR1407-8

HARDWARE LIST

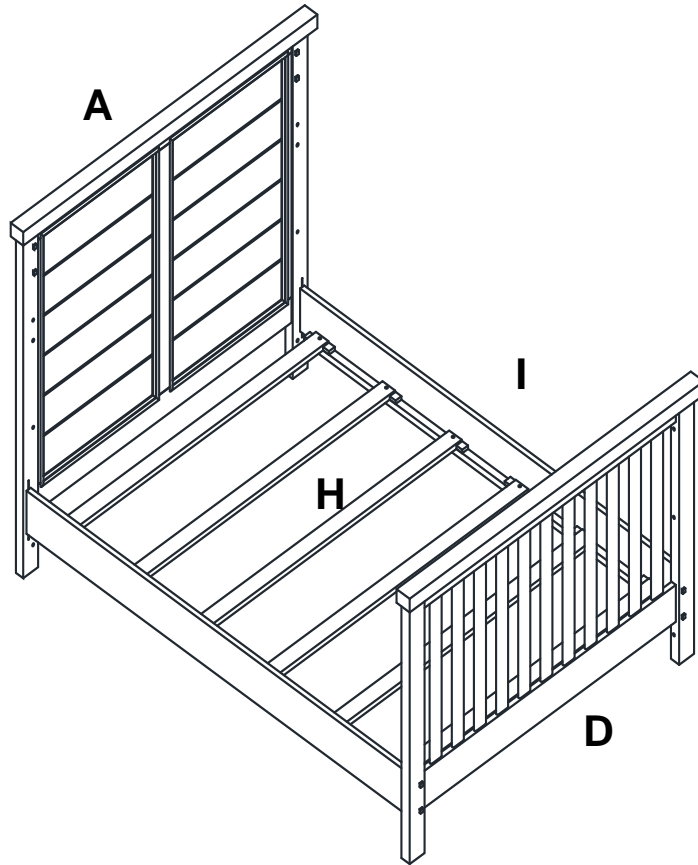
1	 <p data-bbox="354 562 522 604">Ø8 X 30mm</p>
<p data-bbox="386 638 490 672">SCREW</p> <p data-bbox="386 684 490 718">12 PCS</p>	

PARTS LIST

<p data-bbox="66 940 147 1005">H</p> 	<p data-bbox="810 940 891 1005">I</p> 
<p data-bbox="396 1243 480 1276">SLAT</p> <p data-bbox="396 1289 480 1323">6 PCS</p>	<p data-bbox="1117 1243 1260 1276">BED RAIL</p> <p data-bbox="1143 1289 1234 1323">2 PCS</p>

TIMBER LAKE WOODEN BED RAILS

BR1407-8



ATTENTION:

The Timber Lake Wooden Bed rails are designed to be used with the Timber Lake 4 in 1 Crib - model number BR1407B4, sold separately.

NOTE:

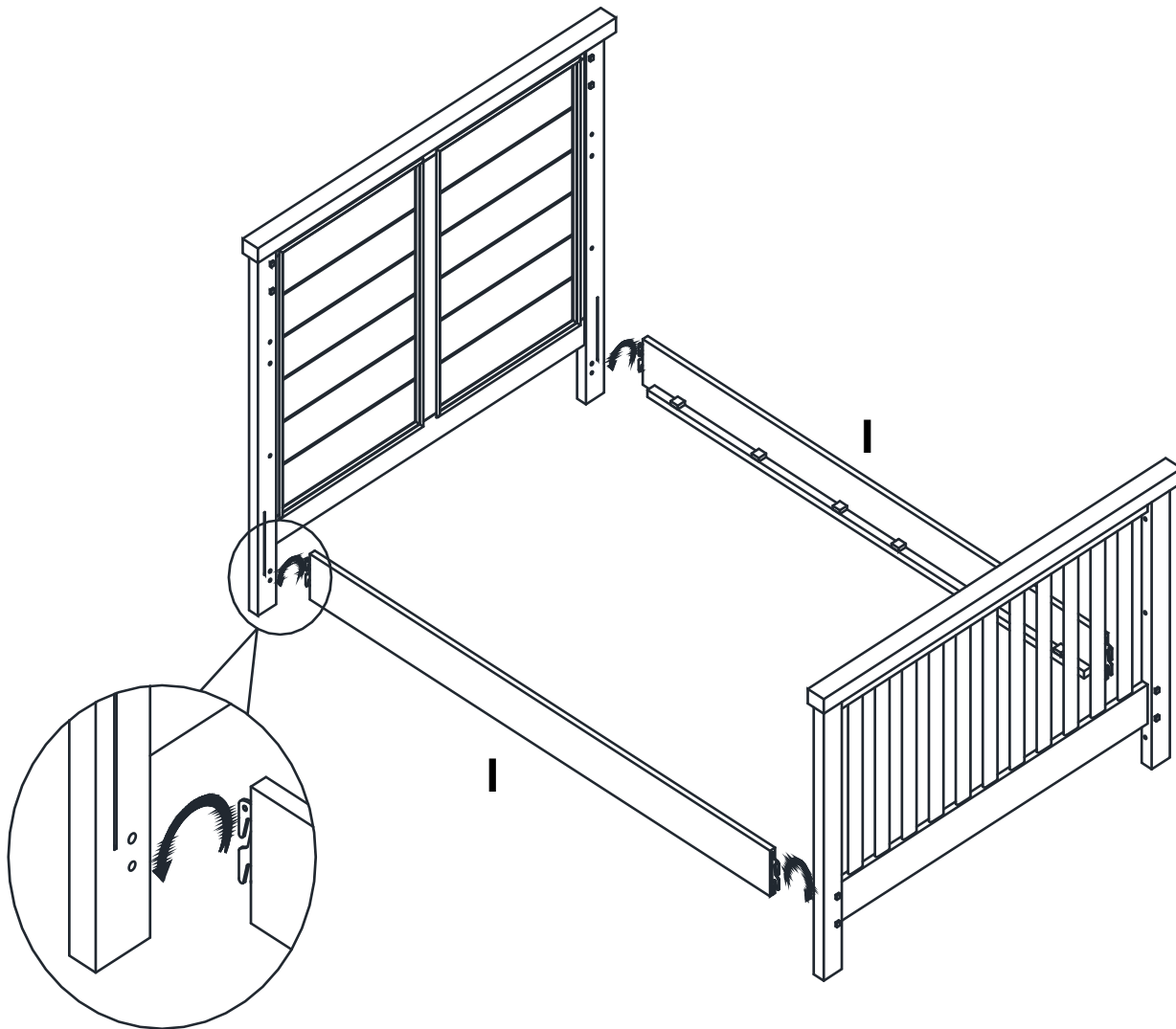
Before assembling your bed, please detach the headboard (part A on the crib assembly manual) and footboard (front panel, part D on the crib assembly manual) from the crib.

TIMBER LAKE WOODEN BED RAILS

BR1407-8

STEP 1

Hook bed rails (I) to the headboard (A) and footboard (D) as shown below.



TIMBER LAKE WOODEN BED RAILS

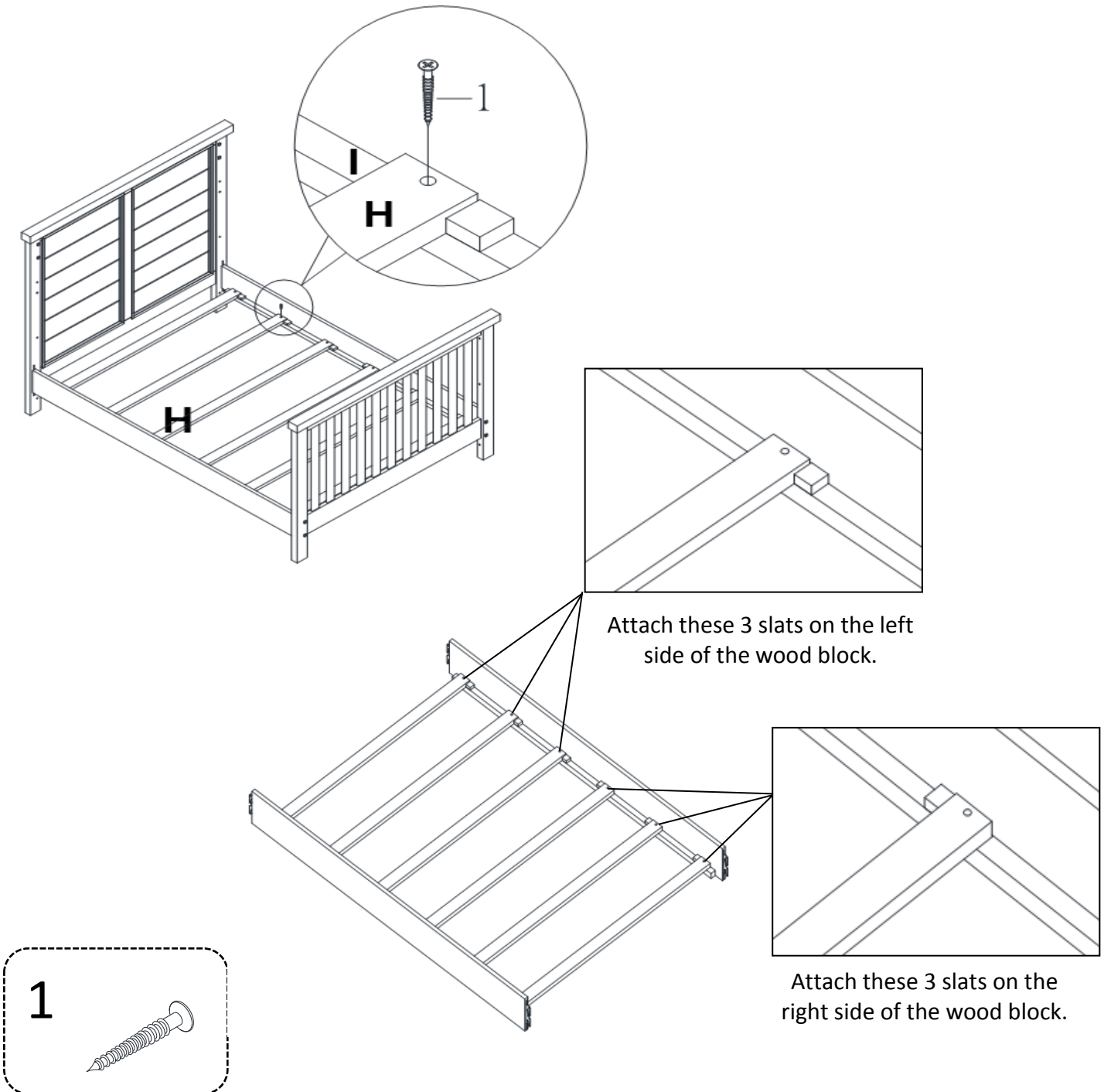
BR1407-8

STEP 2

Attach the slats (H) to the bed rails (I) using screws (1) and a Phillips head screwdriver (not included).

Note:

Refer to the below photos to make sure the slats are attached in the proper location.

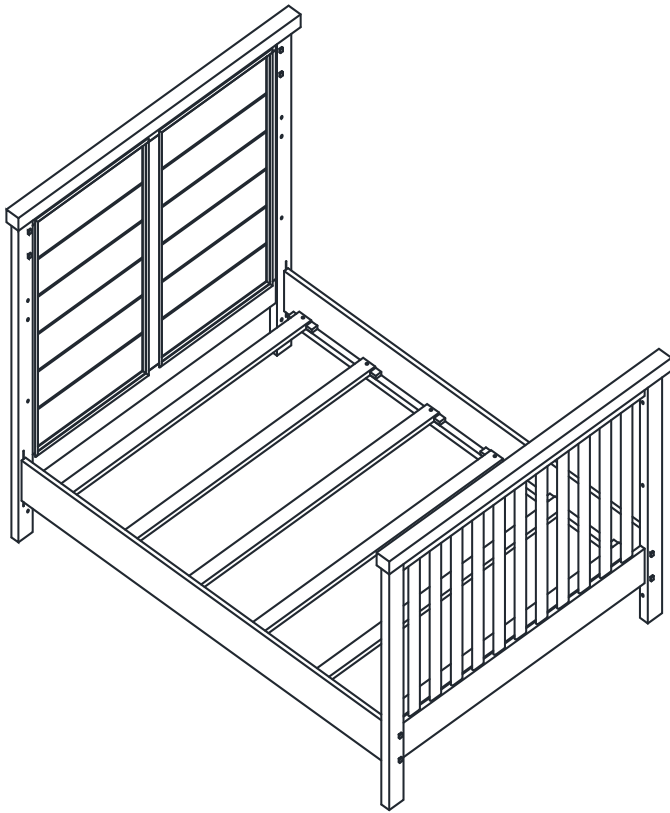


TIMBER LAKE WOODEN BED RAILS

BR1407-8



CAUTION: This unit is intended for use only with the products and/or maximum weights indicated. Use with other products and/or products heavier than the maximum weights indicated may result in instability or cause possible injury.



Must be used with a box spring and mattress

Recommended maximum weight- 250 lbs per position

That's it ! You've finished assembling your bed!

DO NOT RETURN PRODUCT TO THE STORE.

If a part is missing or damaged, contact our customer service department. We will replace the part **FREE** of charge.



Tel #: 1-800-295-1980
E-Mail: das@dorel.com
Fax #: 514-353-7819



Customer Service

PLEASE DO NOT RETURN THIS PRODUCT TO THE STORE

PLEASE CONTACT CUSTOMER SERVICE REPRESENTATIVES AT THE FOLLOWING NUMBERS SHOULD THERE BE ANY MISSING OR DEFECTIVE PART(S).

Customer Service Phone Number 1-800-295-1980

Email: das@dorel.com

Customer Service Fax Number 514-353-7819

Request Date:

Name:

Shipping Address:

Street & Number:

City & State:

Zip Code:

Day Time Phone Number:

(including area code)

Date & Place of Purchase:

Part(s) description and quantity (Please be sure to list model number or SKN number):

Customer Service Representative Mailing Address:

Customer Service Department No. 413, 12345 Albert-Hudon Boulevard, Suite 100, Montreal, QC, Canada, H1G 3L1