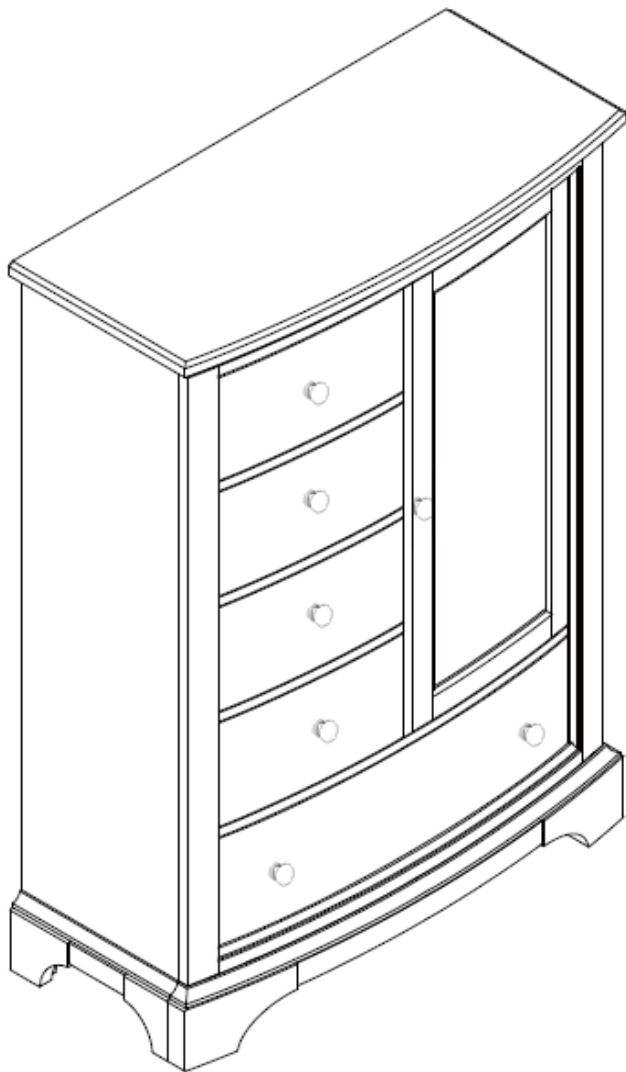


DOREL ASIA

bertini[®]

**PEMBROOKE
CHIFFEROBE**



Model No:

BR1302-4N (NATURAL RUSTIC)

BR1302-4WN (DARK WALNUT)

UPC CODE:

0-65857-16498-5

0-65857-16504-3

NOTE:

THIS INSTRUCTION BOOKLET
CONTAINS **IMPORTANT** SAFETY
INFORMATION. PLEASE READ AND
KEEP FOR FUTURE REFERENCE.

Lot number:

(TAKEN FROM CARTON)

Date of purchase:

____ / ____ / ____

**Contact Customer Service
with any questions.**



1-800-295-1980

das@dorel.com

CUSTOMER SERVICE

If you have any questions about this product, contact our customer service representative first!

 **CALL 1-800-295-1980**

Customer Service Department No. 413
12345 Albert-Hudon Boulevard, Suite 100
Montreal, Quebec
Canada H1G 3L1
E-MAIL: das@dorel.com

NOTES:

- * Read all instructions before use.
- * Keep instructions for future use.
- * Phillips head screw driver is not included.
- * Do not use the chifferobe unit if it is damaged or broken.
- * Handling will require two people.
- * To avoid unnecessary damage, when levelers have been extended, **DO NOT** drag across surface when moving. Be sure to lift and carry the item to its location.

CARE AND CLEANING

Dust regularly with a soft, lint-free cloth to prevent soil build-up. A damp cloth may be used occasionally to clean surface. Dry immediately. Do not use any abrasives that may damage finish. Excessive exposure to sunlight and extreme changes in temperature and moisture can damage wood furniture.

MAINTENANCE

Check bolts/screws periodically and tighten them if necessary.

LIMITED WARRANTY

Dorel Asia warrants its product to be free from defects in material and workmanship and agrees to remedy any such defect. This warranty covers 1 year from the date of original purchase. This warranty is valid only upon presentation of proof of purchase. This is solely limited to the repair or replacement of defective furniture components and no assembly labor is included. This warranty does not apply to any product which has been improperly assembled, subjected to misuse or abuse or which has been altered or repaired in any way. This warranty gives you specific legal rights and you may also have other rights which vary from State to State.

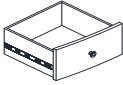
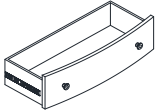




WARNING: Should this product become damaged, and/or components are broken or missing, DO NOT USE.




PEMBROOKE CHIFFEROBE

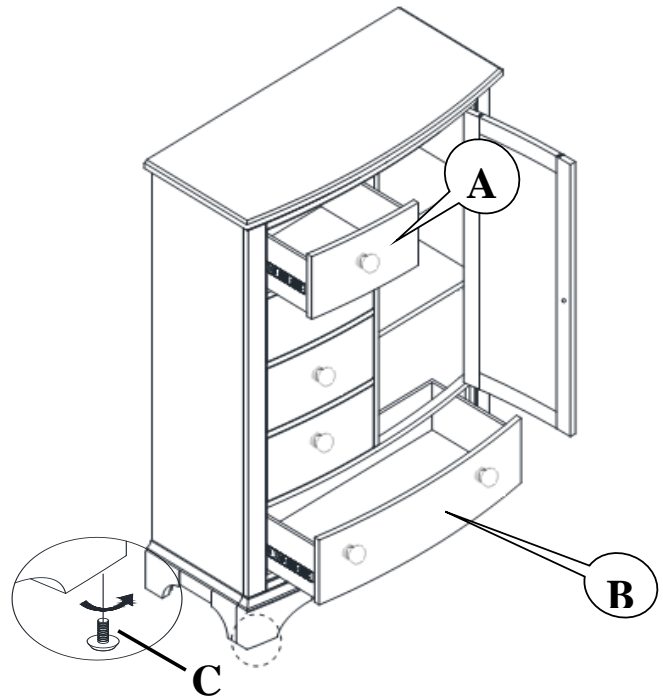
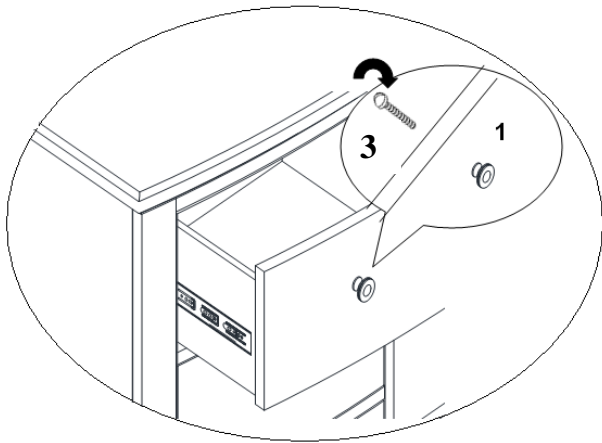
BR1302-4N / BR1302-4WN

PARTS LIST

NO.	Drawing	Description	Q'ty
A		Small Drawer	4 PCS
B		Large Drawer	1 PC
C		Leveler	2 PCS
E		Saftey Strap kit	1 KIT

HARDWARE LIST

NO.	Drawing	Description	Q'ty
1		Metal Knob	7 PCS
2		Wood Knob (pre-installed)	7 PCS
3		Screw (pre-installed)	7 PCS



Note:

Levelers (C) are located under the unit. Before placing this item in the desired location, make sure that the unit rests evenly on the floor by rotating the levelers clockwise or counter clockwise (as needed).

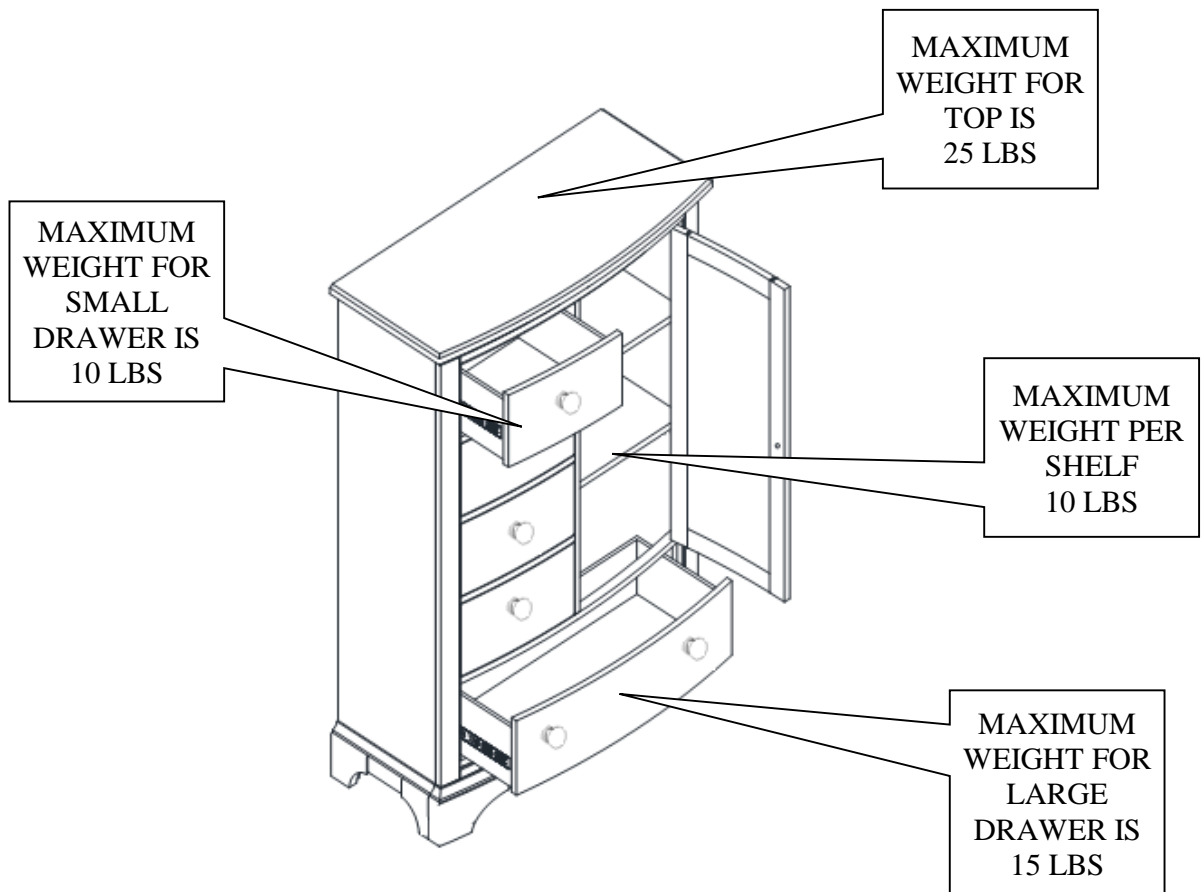
Wood knobs (2) are pre-installed on the unit with screws (3). Use a Phillips head screwdriver (not included) to replace wood knobs (2) with metal knobs (1) if desired.

PEMBROOKE CHIFFEROBE

BR1302-4N / BR1302-4WN



CAUTION: This unit is intended for use only with the products and/or maximum weights indicated. Use with other products and/or products heavier than the maximum weights indicated may result in instability or cause possible injury.



**Contact Customer Service
with any questions.**








1-800-295-1980

das@dorel.com

Furniture Wall Safety Strap

Hardware List

A		B		C		D		E	
LONG SCREW 1 PC		METAL BRACKET 2 PCS		SHORT SCREW 1 PC		WALL ANCHOR 1 PC		SAFETY WALL STRAP 1 PC	

PLEASE NOTE THE SAFETY STRAP KIT HARDWARES ARE PAKCED IN ANOTHER PACK (NOT IN HARDWARE PACK), AND IT IS PUT INSIDE THE DRAWER.

TOOLS NECESSARY: RUBBER MALLET AND PHILLIPS SCREW DRIVER ARE NOT INCLUDED.

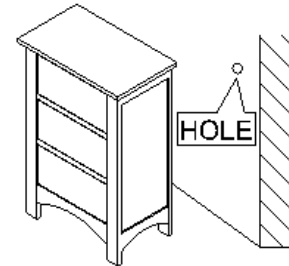
NOTE: 5/16" DRILL BIT AND ELECTRIC DRILL ARE NOT PROVIDED.



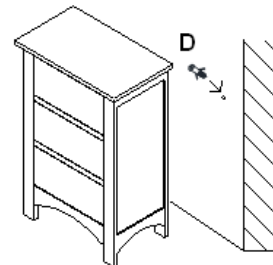
WARNING: WHEN UPRIGHT, IT IS POSSIBLE THAT THE FURNITURE MAY TIP OVER. PLEASE INSTALL THE SAFETY WALL STRAP BEHIND THE FURNITURE TO ENSURE SAFETY.

PLEASE READ ALL INSTRUCTIONS CAREFULLY BEFORE USING THIS PRODUCT AND KEEP THESE INSTRUCTIONS FOR FUTURE REFERENCE. IF YOU HAVE ANY QUESTIONS, PLEASE CALL OUR CUSTOMER SERVICE NUMBER: (800) 295-1980.

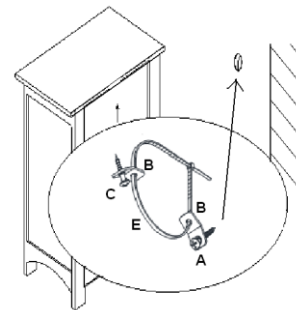
STEP 1: LOCATE AND MARK A SPOT ON THE WALL BEHIND THE FURNITURE (ABOUT 2" to 3" BELOW THE TOP OF THE FURNITURE), AND SLIDE THE FURNITURE AWAY FROM THE WALL, ALLOWING YOURSELF ENOUGH ROOM TO WORK. USING A 5/16" DRILL BIT, DRILL A HOLE, (ABOUT 1-1/4" DEEP) AT WHERE THE MARK IS LOCATED.



STEP 2: USING A RUBBER MALLET, HAMMER THE WALL ANCHOR (PART D) INTO THE DRILLED HOLE UNTIL THE OPENING OF THE WALL ANCHOR (PART D) IS EVEN WITH THE WALL.



STEP 3: MAKE A MARK ON THE BACK FRAME OF THE FURNITURE (AT THE MIDDLE POSITION OF THE TOP PANEL BACKSIDE, WHERE YOU WOULD LIKE TO INSTALL THE SAFETY WALL STRAP). INSERT THE SHORT SCREW (PART C) AND THE SAFETY WALL STRAP (E) INTO THE METAL BRACKET (PART B), THEN INSTALL IT INTO WHERE THE MARK WAS MADE WITH A PHILLIPS SCREW-DRIVER, AS SHOWN IN RIGHT SIDE.



STEP 4: TO INSTALL THE SAFETY WALL STRAP (E) TO THE WALL, INSERT THE LONG SCREW (PART A) AND THE SAFETY WALL STRAP (PART E) THROUGH THE METAL BRACKET (PART B) AND SECURE THE SCREW (PART A) INTO THE WALL ANCHOR (PART D) USING THE PHILLIPS SCREW DRIVER. AND THEN PUT THE TAIL OF SAFETY WALL STRAP (E) TO THE HOLE OF SAFETY WALL STRAP (E) HEAD, PULL IT FOR TIGHTEN THE STRAP.

TO MOVE THE FURNITURE AFTER THE SAFETY WALL STRAP HAS BEEN INSTALLED, SIMPLY REMOVE THE SCREW (PART A) FROM THE WALL TO LOOSEN THE SAFETY WALL STRAP.

Customer Service

PLEASE CONTACT CUSTOMER SERVICE REPRESENTATIVES AT THE FOLLOWING NUMBERS SHOULD YOU HAVE ANY QUESTIONS.

Customer Service Phone Number 1-800-295-1980

Email: das@dorel.com

Customer Service Fax Number 514-353-7819

Request Date:

Name:

Shipping Address:

Street & Number:

City & State:

Zip Code:

Day Time Phone Number:

(including area code)

Date & Place of Purchase:

Part(s) description and quantity (Please be sure to list model number or SKN number):

Customer Service Representative Mailing Address:

Customer Service Department No. 413, 12345 Albert-Hudon Boulevard, Suite 100, Montreal, QC, Canada, H1G 3L1